

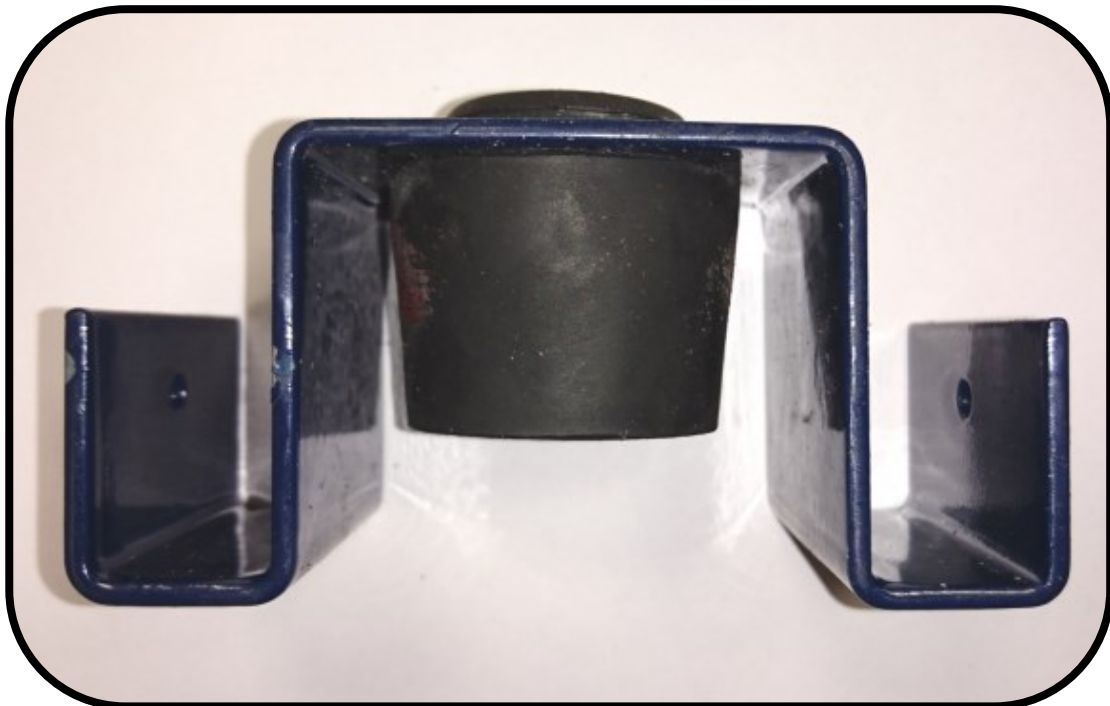


MASON U.K.

VIBRATION CONTROL PRODUCTS AND
ACOUSTIC FLOOR SYSTEMS

HDLP-A

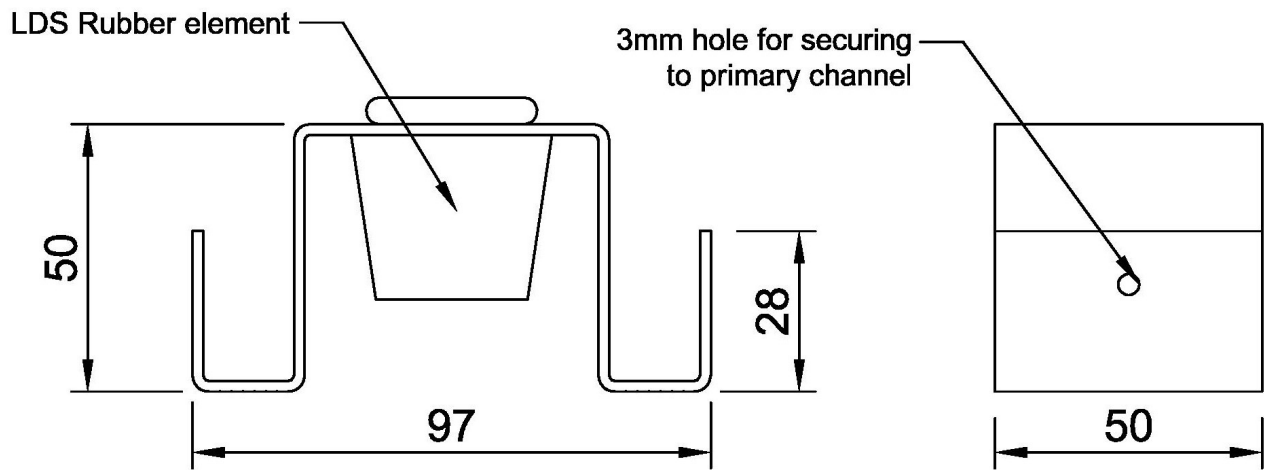
Low Profile Ceiling Hanger



- Allows for compact suspended ceiling installations
- Allows for quick and easy installation of most metal grid ceiling systems
- The hangers can support ceiling weights of up to 57kg per hanger
- The rubber elements can provide up to 5mm deflection, providing natural frequencies down to 8Hz
- The high quality rubber element can be replaced with a variety of springs for isolation from impact and low frequency noise

Mason U.K. Ltd.
Unit 6 Abbey Business Park
Monks Walk
Farnham, Surrey
GU9 8HT

Phone: 01252 716610
Fax: 01252 716630
E-mail: info@mason-uk.co.uk
Web: www.mason-uk.co.uk

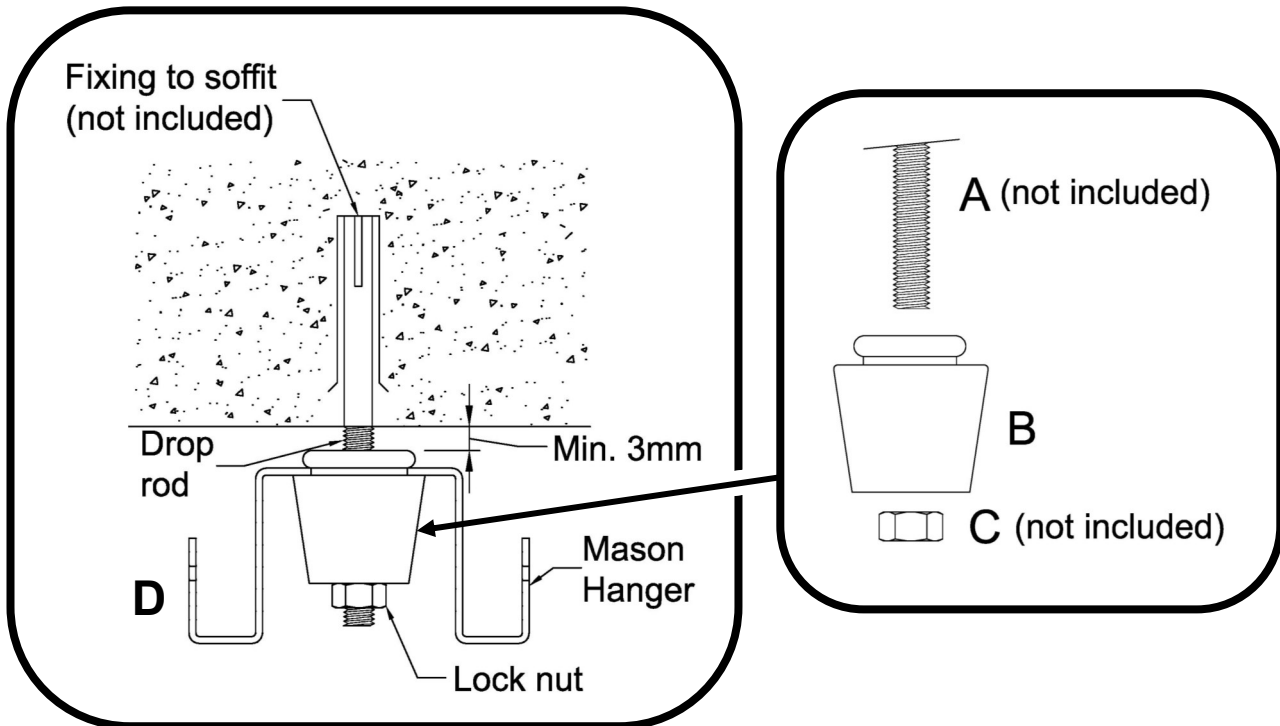


	<i>Durometer</i>	<i>Max rated capacity (kg)</i>	<i>Max rated deflection (mm)</i>	<i>Rated Natural Frequency (Hz)</i>
<i>HDLP-A-Black</i>	30	Up to 20	6	8
<i>HDLP-A-Green</i>	40	14-34	6	8
<i>HDLP-A-Red</i>	50	27-57	6	8
<i>HDLP-X-Spring</i>	Please call to discuss requirements			

Mason U.K. Ltd.
 Unit 6 Abbey Business Park
 Monks Walk
 Farnham, Surrey
 GU9 8HT

Phone: 01252 716610
 Fax: 01252 716630
 E-mail: info@mason-uk.co.uk
 Web: www.mason-uk.co.uk

Typical Installation for Mason HDLP-A Hangers



- | | | |
|----------|---|---------------------------------|
| A | - | Self-locking nut (not supplied) |
| B | - | LDS Rubber element |
| C | - | Drop rod (not supplied) |
| D | - | Mason hanger box |

Installation instructions:

- Fix the top of the drop rod to the soffit, bracket or ceiling joist as required.
- Assemble the hanger as above.
- Set all the hangers to the same height by laser or similar method.
- Install the ceiling system in the normal way.

Mason U.K. Ltd.
Unit 6 Abbey Business Park
Monks Walk
Farnham, Surrey
GU9 8HT

Phone: 01252 716610
Fax: 01252 716630
E-mail: info@mason-uk-co.uk
Web: www.mason-uk.co.uk