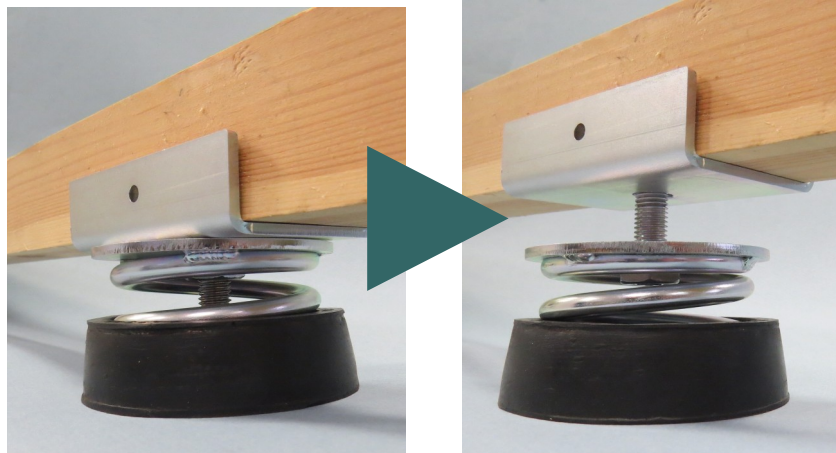
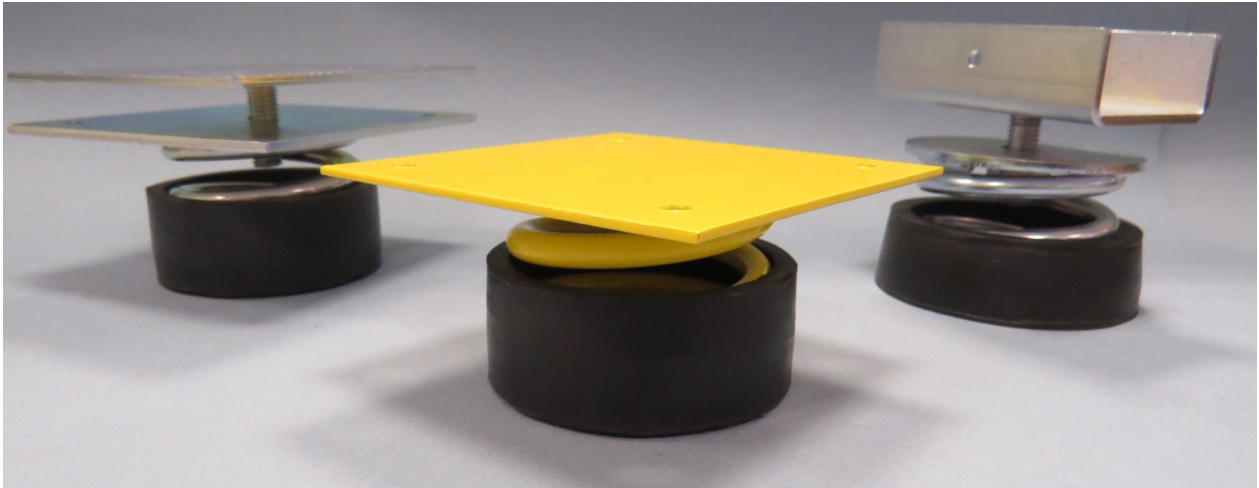




MASON U.K.

VIBRATION CONTROL PRODUCTS AND
ACOUSTIC FLOOR SYSTEMS

MFS Floor Spring Mount

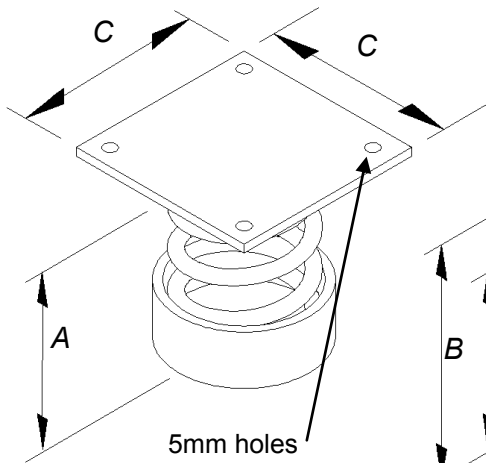


- Quick and easy installation to isolate against impact and low frequency noise
- Adjustable design can compensate for uneven floors
- Simple non-adjustable version available for lower cost installations

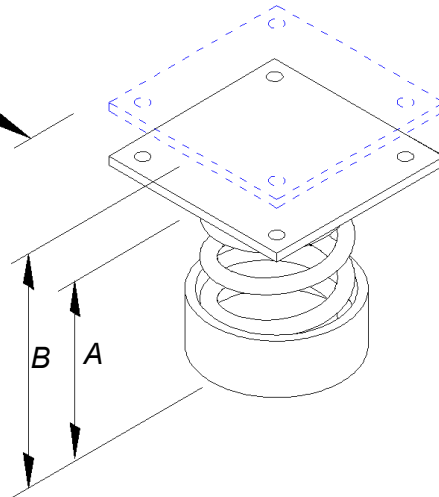
Mason U.K. Ltd.
Unit 6 Abbey Business Park
Monks Walk
Farnham, Surrey
GU9 8HT

Phone: 01252 716610
Fax: 01252 716630
E-mail: info@mason-uk-co.uk
Web: www.mason-uk.co.uk

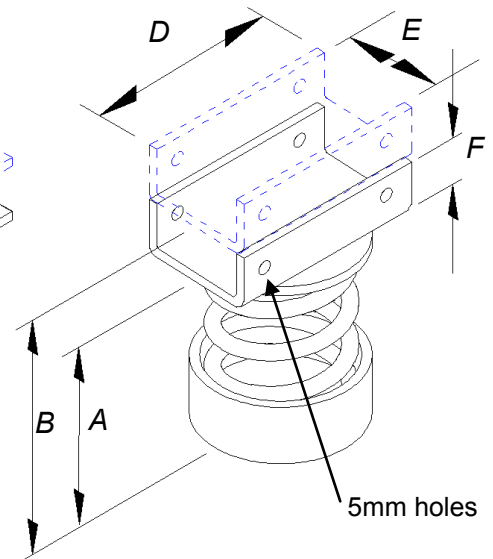
MFS



MFS-AF



MFS-AJ



	<i>MFS</i>	<i>MFS-AF</i>	<i>MFS-AJ</i>
<i>A (Minimum height)</i>	50mm	54mm	54mm
<i>B (Maximum height)</i>	50mm	84mm	84mm
<i>C (Plate size)</i>	100mm	100mm	-
<i>D</i>	-	-	80mm
<i>E (Maximum joist width)</i>	-	-	48mm
<i>F</i>	-	-	25mm

		<i>Rated capacity</i>	<i>Rated deflection</i>	<i>Natural frequency at rated deflection</i>
<i>MFS</i>	150	67kg	6.5mm	6.2Hz
<i>MFS-AF</i>	200	100kg	6.5mm	6.2Hz
<i>MFS-AJ</i>	300	140kg	6.5mm	6.2Hz

All springs have additional travel to solid equal to 50% of rated deflection
Other spring configurations available upon request

Mason U.K. Ltd.
Unit 6 Abbey Business Park
Monks Walk
Farnham, Surrey
GU9 8HT

Phone: 01252 716610
Fax: 01252 716630
E-mail: info@mason-uk-co.uk
Web: www.mason-uk.co.uk