



MASON INDUSTRIES, Inc.
Manufacturers of Vibration Control Products

350 Rabro Drive
Hauppauge, NY 11788
516/348-0282
FAX 516/348-0279

708 N. Valley St. Suite K
Anaheim, CA 92801
714/535-2727
FAX 714/535-5738

CERTIFIED FOR

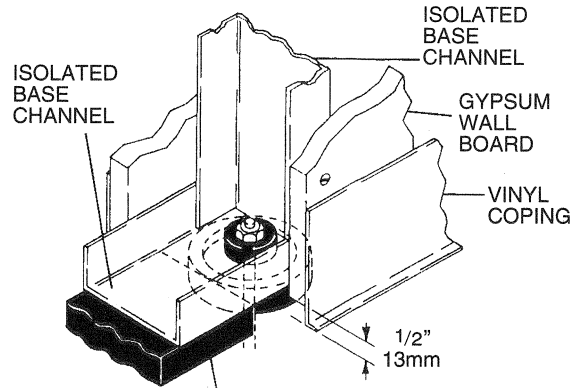
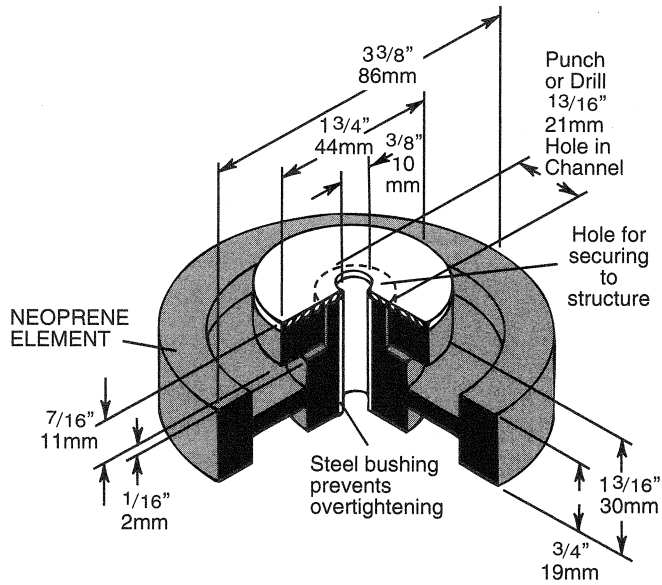
JOB NAME _____

CUSTOMER _____

CUSTOMER P.O. _____

MASON M. _____ DWG No. _____

TYPE
NPS
NEOPRENE
PARTITION
SUPPORTS



OPTIONAL 3/4" CLOSED CELL NEOPRENE OR VINYL TO IMPROVED ACOUSTICAL LOSS

NPS LOAD RATINGS

NPS Size	Durometer	Color Code	RATED LOAD		Max Static Defl.	
			lbs	kilos	in	mm
30	30	Black	140	64	0.12	2.8
40	40	Green	240	109	0.12	2.8

CERTIFICATION DATA

DWN	CHKD	DATE
-----	------	------

DWG No.
